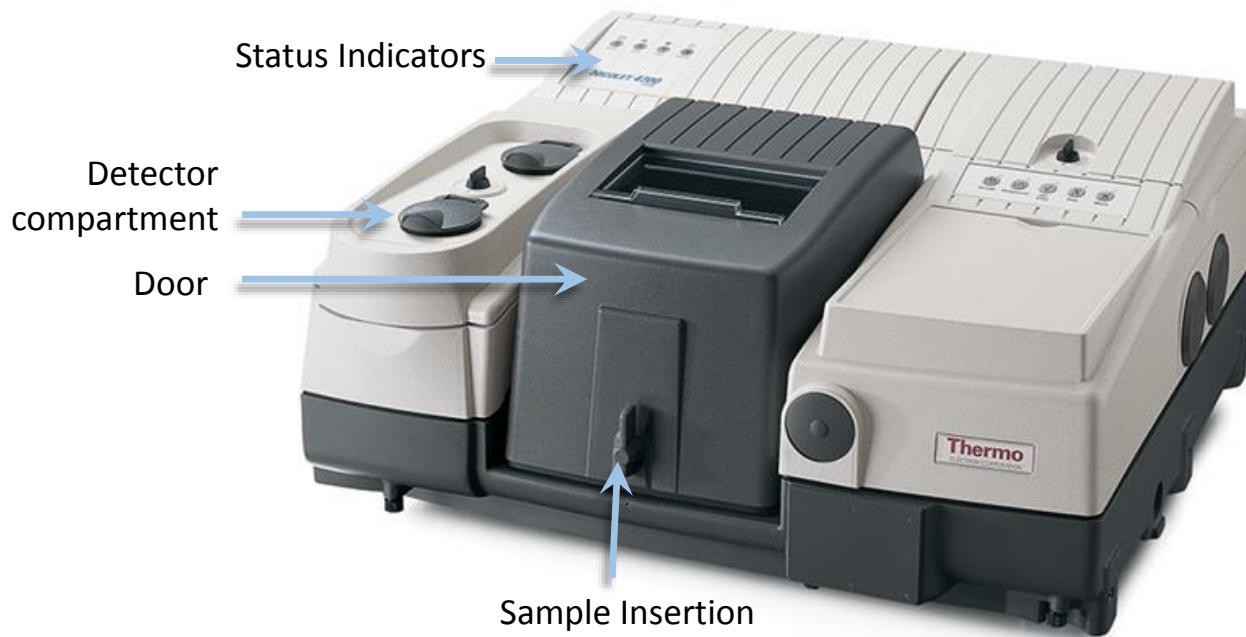
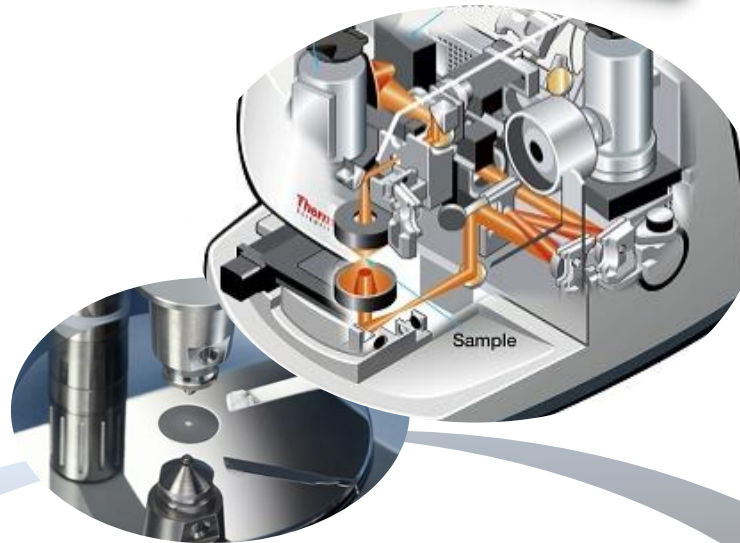
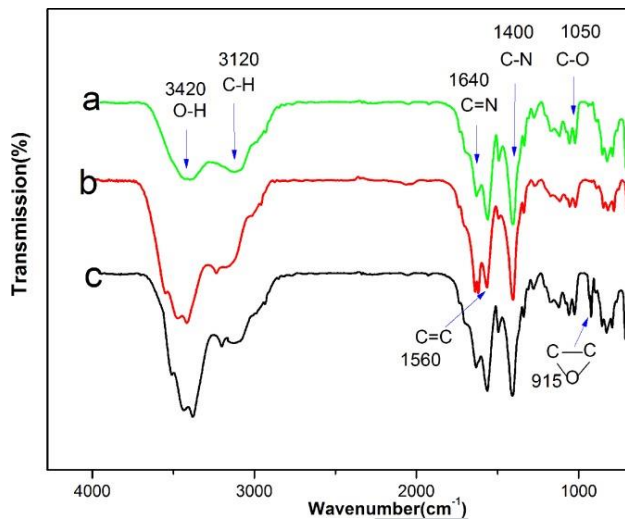


FOURIER-TRANSFORM INFRARED SPECTROSCOPY (FTIR)



Data analysis



ANALYSIS

- Differentiation between animal and synthetic product
- Screening functional group

SAMPLE

Leather products



Beverages



Oil



Brushes

